

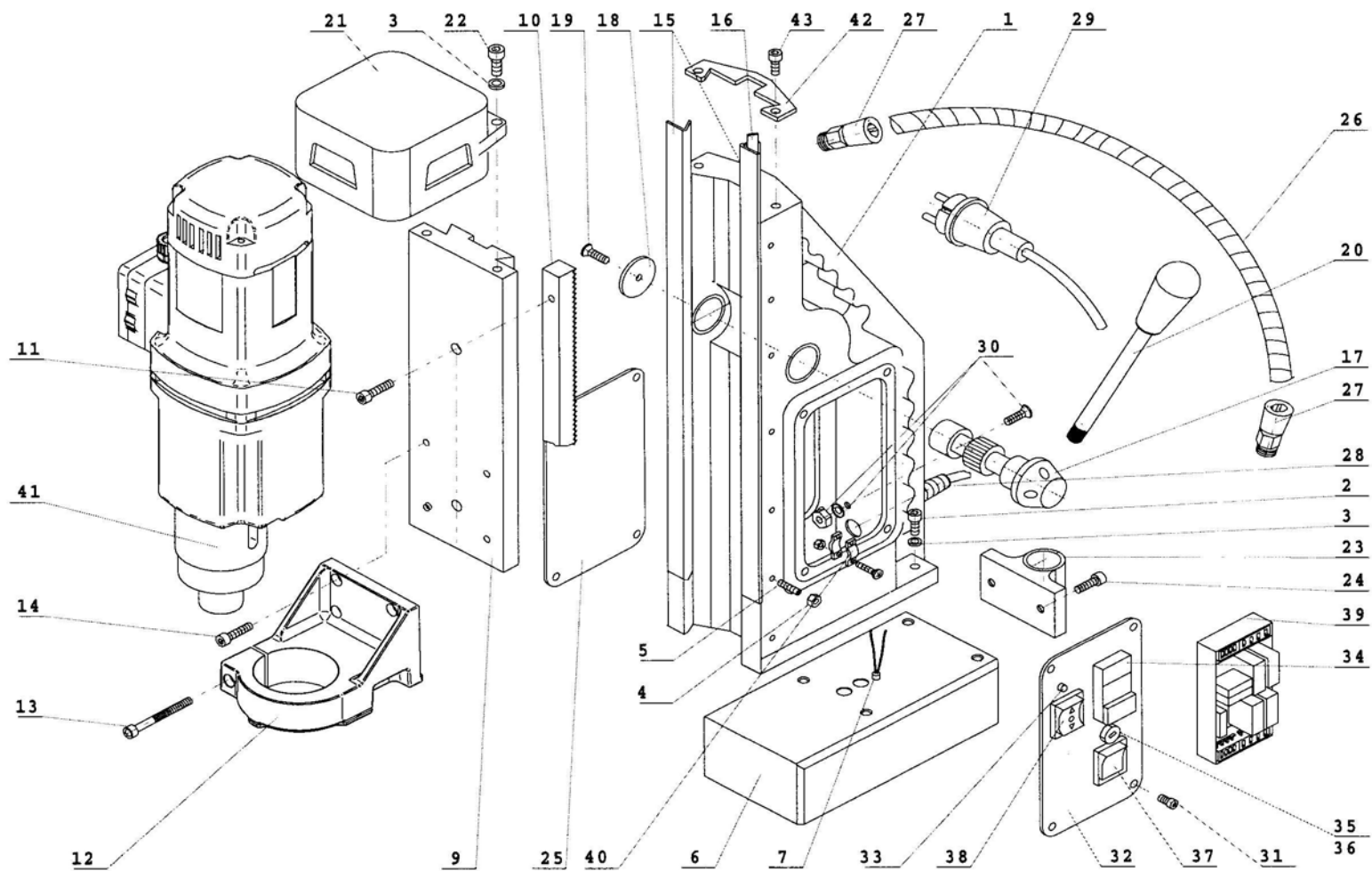
1	100.0001	Frame
	100.0001/s	Frame (100/3-D)
2	100.0006	Screw SSM8x25
3	100.0031	Washer M8
4	020.0096	Setting Nut
5	020.0138	Setting Screw
6	100.0038	Magnet LED (M8 holes)
	100.0038/s	Magnet for swifel-base (100/3-D)
7	020.0201	Sensor
8	100.0037	Swivel base (only 100/3-D)
9	100.0041	Slide
10	100.0076	Rack
11	100.0066	Screw SSM6x30
12	100.0046	Motorholder
13	100.0071	Screw SSM6x55
14	020.0106	Screw SSM6x16
15	100.0081	Brass rail set (stick)
16	100.0084	Pressing strip
17	100.0101	Capstan hub assembly
	020.0336	Power Assist (big)
18	020.0077	End Plate
19	020.0081	End Screw
20	100.0116	Arm for Capstan
21	100.0122	Motor Fixing
22	100.0126	Screw SSM8x35
23	020.0151	Magnet spring ball
24	020.0106	Screw SSM6x16
25	100.0141	Rear plate
26	080.0136	Motorcable
27	020.0041	Coupling nut for motorcable
28	020.0031	Coupling nut for maincable
29	020.0036	Main Cable
30	020.0182	Screw+washer+nut
31	020.0101	Panel screw
32	080.0146	Front plate
33	020.0206	Sensor LED+cable
34	020.0006	On/Off Switch
35	020.0016	Fuse holder
36	020.0017	Fuse F2A
37	020.0011	Magnet Switch
38	100.0152	L/R switch (push)
39	100.0002	Control Unit 220v
	100.0003	Control Unit 110v
40	020.0037	Cable clamp
41	100.0303	Motorunit 1800W / 220v
	100.0304	Motorunit 1800W / 110v
42	100.0091	Top Plate
43	100.0096	Screw
51	100.0306	Screw 4,8x45
52	100.0459	Screw 5,5x38
53	100.0318	Armature 220v / 1800W
	100.0319	Armature 110v / 1800W
54	100.0322	End cover 1800 W
55	100.0536	Screw 3,9x9,5
56	100.0333	Speed Control Unit 220v/1800W
	100.0334	Speed Control Unit 110v / 1800W

57	100.0346	Rubber fitting ring
58	100.0348	Armature speed disk 1800 W
59	100.0506	Bearing 10x26x8
60	100.0368	Carbon brush set 1800W
62	100.0372	Carbon brush assembly
63	100.0383	Field 220v / 1800W
	100.0384	Field 110v / 1800W
64	100.0388	Housing 1800W
65	100.0391	Baffle
66	100.0401	Inner gear plate
67	100.0458	Gasket
68	100.0411	Needle bearing
69	100.0416	Gear 2
70	100.0421	Gear shaft 3
71	100.0426	Circlip 471/24
72	100.0431	Key (spindle)
73	100.0436	Drive shaft gear
74	100.0441	Adaptor ring
75	100.0446	Bearing 25x47x12
76	100.0451	Circlip 472/50
77	100.0456	Gear casing
78	100.0461	Drive shaft
79	100.0466	Bearing 30x55x13
80	100.0471	Circlip 472/55
81	100.0476	Adaptor ring
82	100.0481	Needle bearing
83	100.0486	Washer
84	100.0491	2-Speed gear
85	100.0496	Key
86	100.0501	Gear shaft 2
87	080.0351	Bearing 10x26x8
88	100.0511	Gear shaft 1
89	100.0516	Gear 1
90	100.0551	Shell (1pcs.)
91	100.0526	Key
92	100.0531	Friction clutch
93	100.0536	Clutch shaft
94	040.0286	Gear Switch
95	100.0547	First gear 1800W
96	100.0556	Ring lock
97	100.0406	Washer
98	100.0561	Circlip
99	100.0581	Circlip 472/29
100	032.0171	Bearing 12x28x8
101	100.0571	Circlip 471/11
102	100.0569	T/S housing red/blue complete (fits to all models)
103	100.0611/2	T/S switch cap
104	100.0617	Screw 6x45
105		Only complete unit : 100.0569
106		Only complete unit : 100.0569
107		Only complete unit : 100.0569
108		Only complete unit : 100.0569
109	100.0621	Plate for gearcasing
110	100.0549	Casing pin

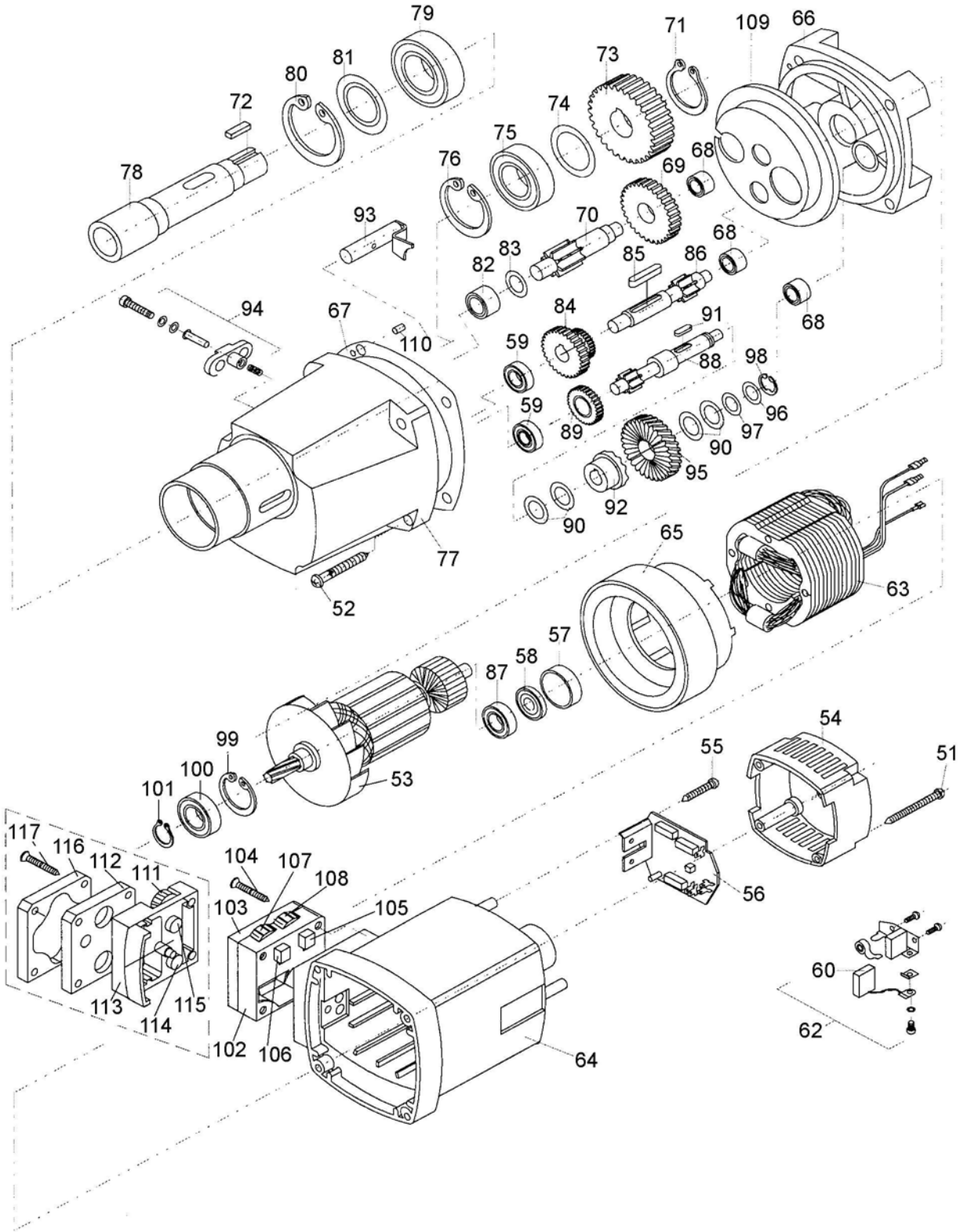
Models -2004 :

111	100.0590	T/S switch wheel orange
112	100.0606	T/S switch spacer
113	100.0568	T/S switch housing (orange)
114	100.0597	Speed switch 1800W / 100K
115	100.0592	Torque switch 1800W / 1K
116	100.0611	T/S switch cap
117	100.0617	Screw 6x55

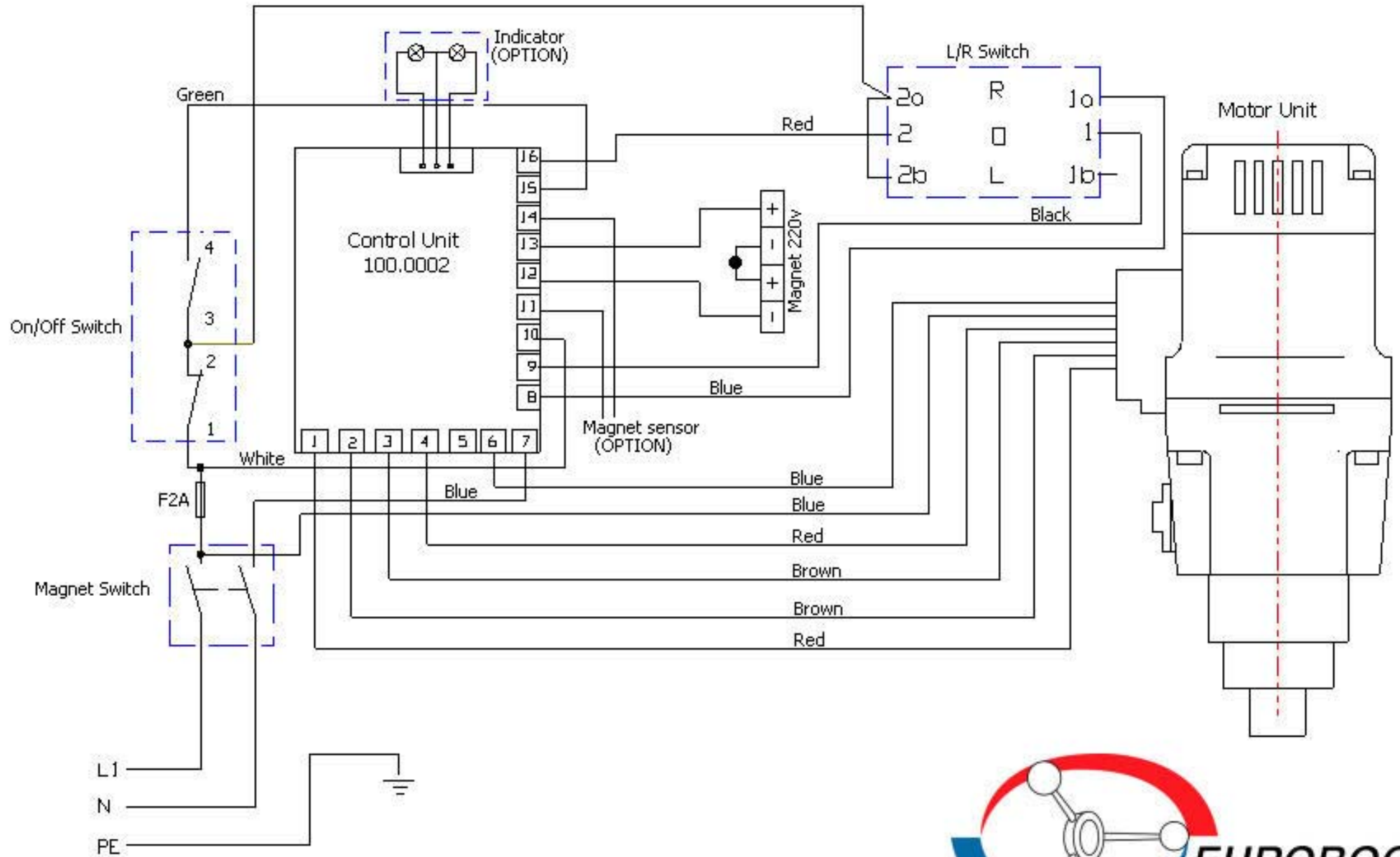
ECO 100/3



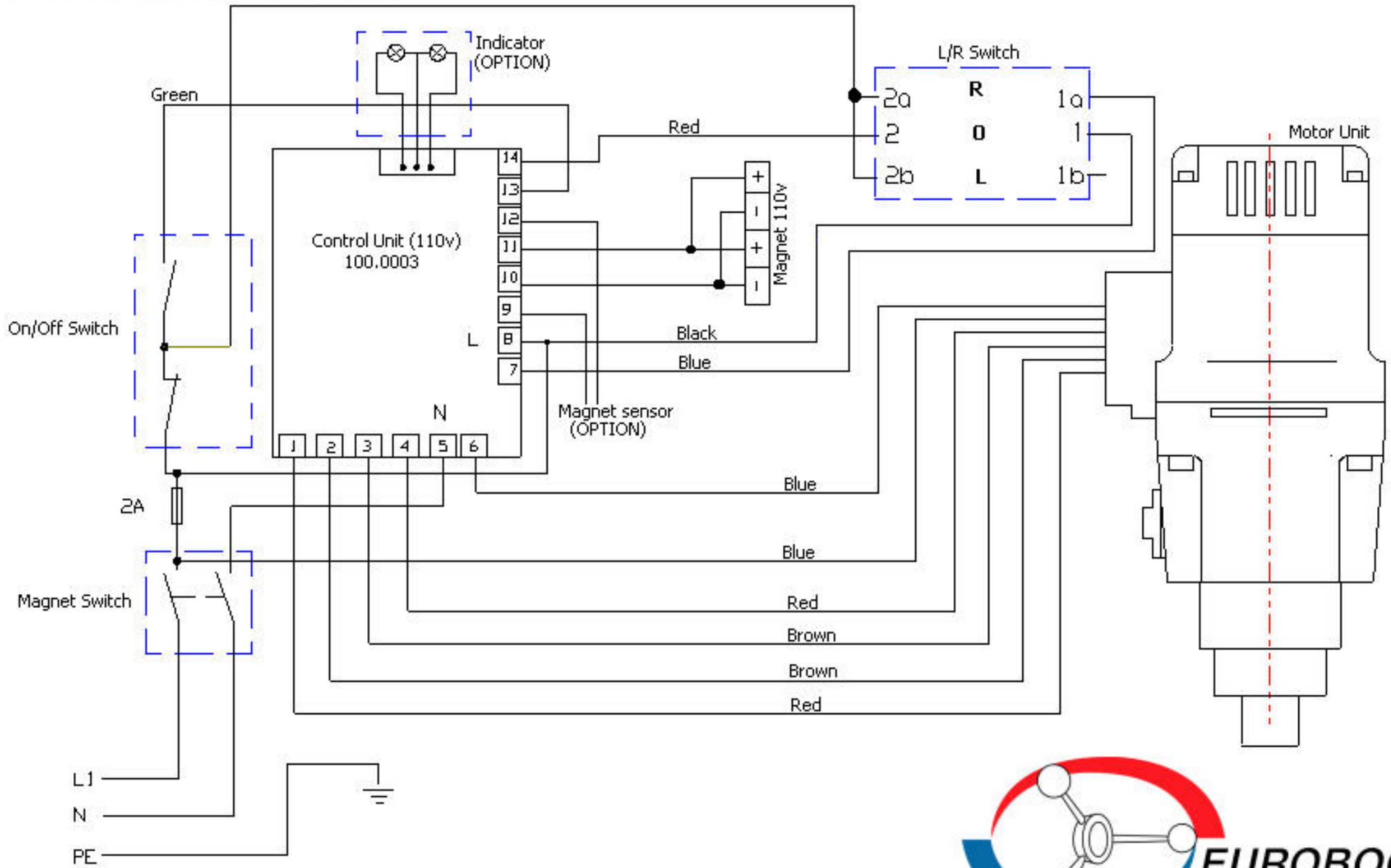
ECO 100/3 - 2 Gear

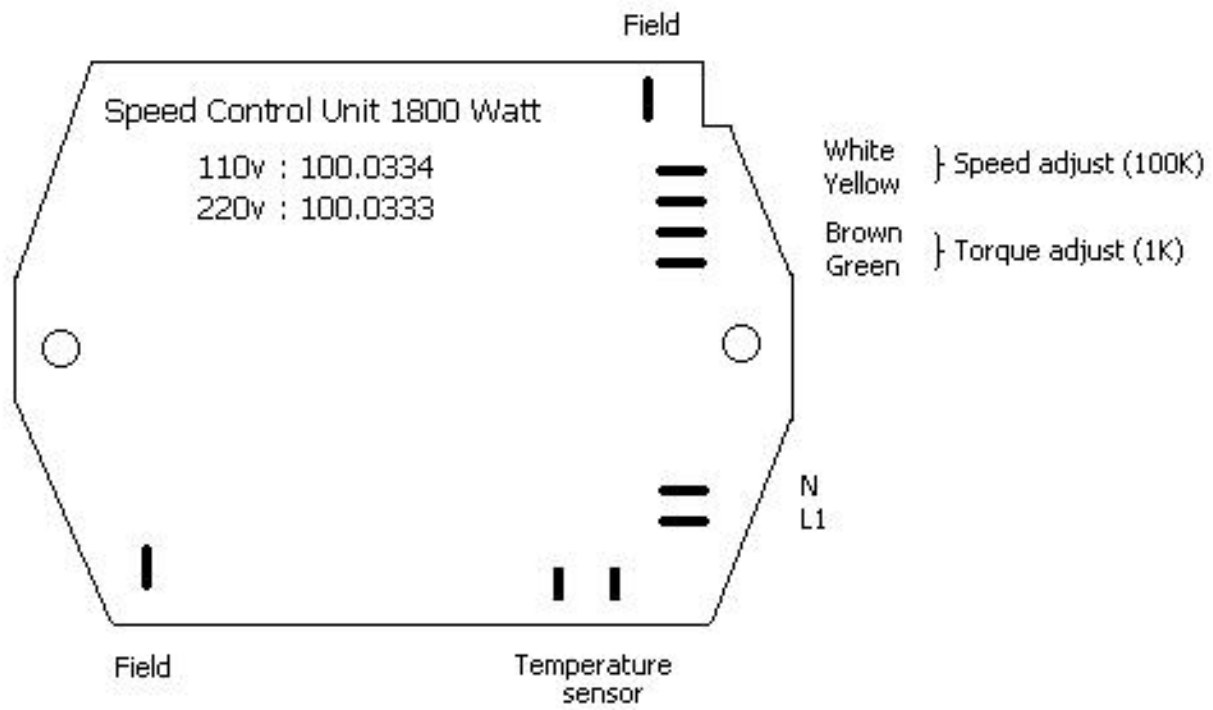


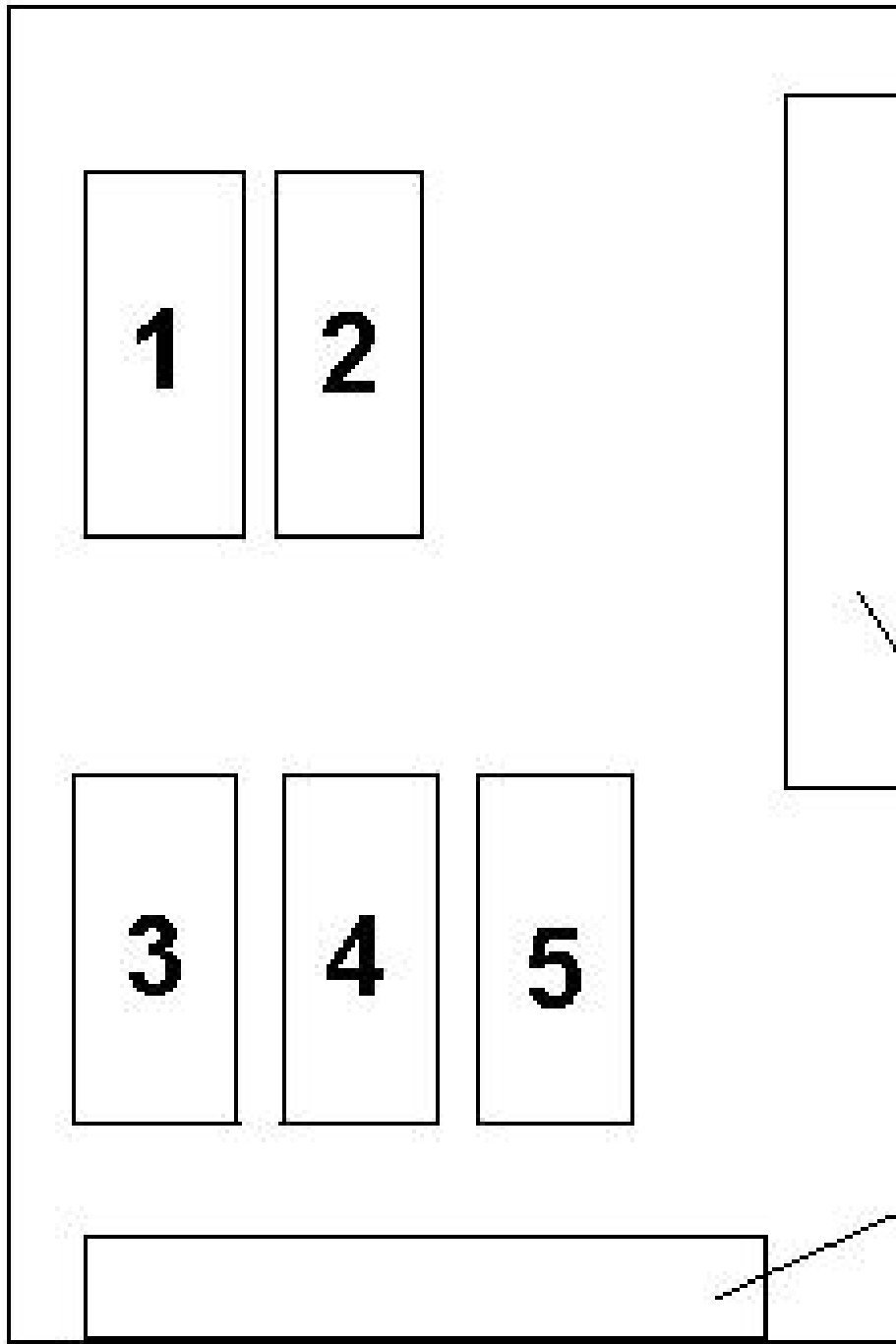
ELECTRICAL WIRING DIAGRAM - ECO.100/3 - 220v



ELECTRICAL WIRING DIAGRAM - ECO.100/3 110v







Relay 1 : Magnet

Relay 2 & 5 : Start

Relay 3 & 4 : Left direction

connections